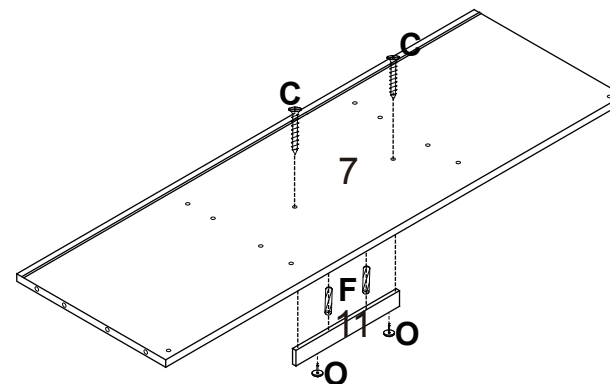


1

Attach piece 7 to piece 11 using wooden dowels (F), screw (C), insert hardware parts (O) into piece 11.

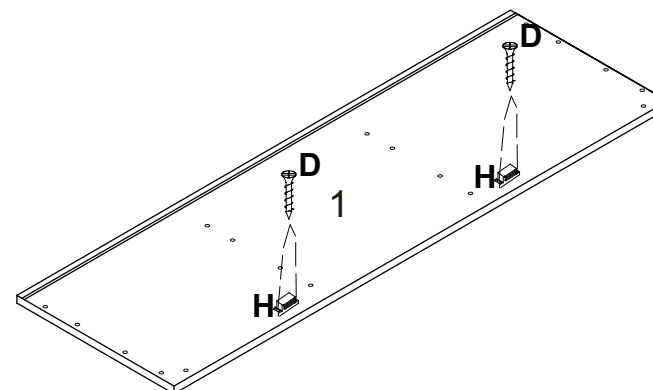


A		12 PCS
B		12 PCS
C		10 PCS
D		4 PCS
E		1 PCS
F		18 PCS
G		4 PCS
H		2 PCS
I		1 PCS

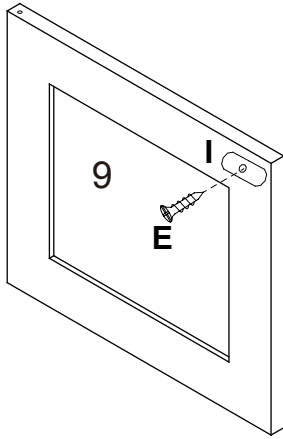
J		1 PCS
K		1 PCS
L		1 PCS
M		2 PCS
N		2 PCS
O		6 PCS

2

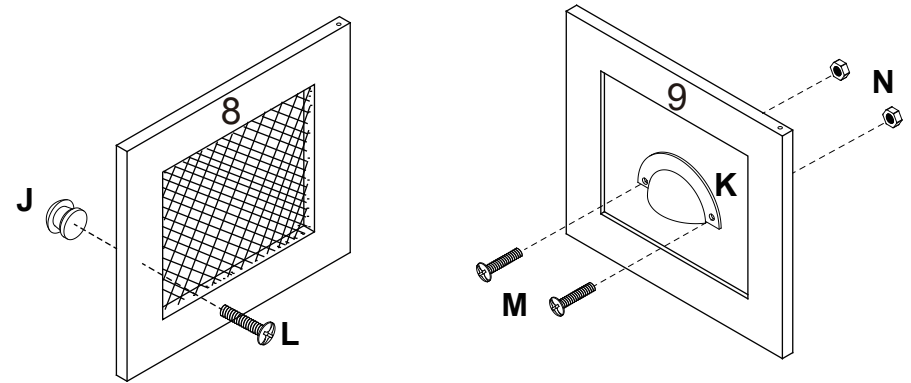
On piece 1, secure the catch (H) using screws (D). Use the pre-drilled holes for guidance.



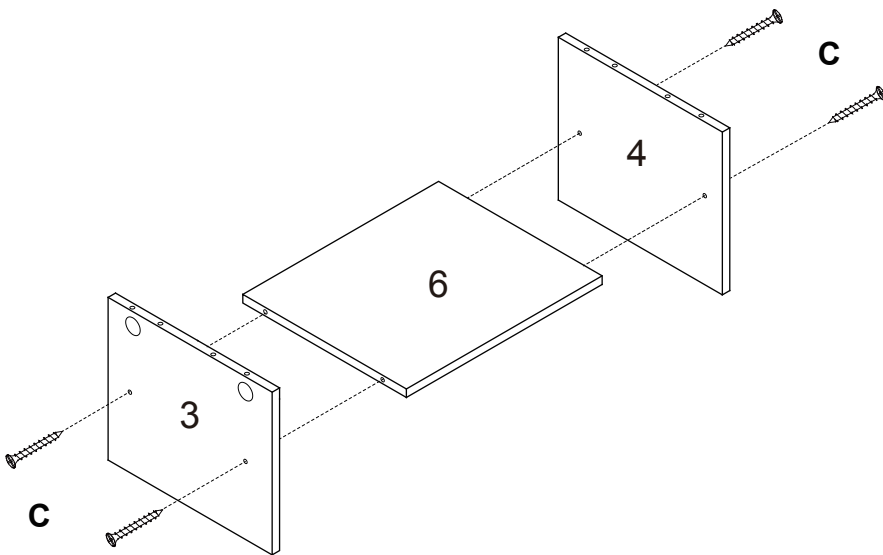
3 On piece 9, attach the plates (I) using screws (E).



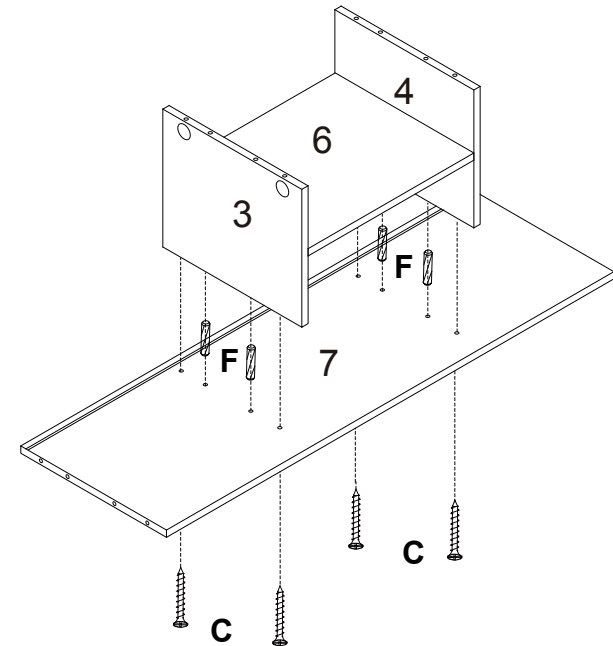
4 On pieces 8 attach the door handles (J) using screws (L). On pieces 9 attach the door handles (K) using screws (M & N).



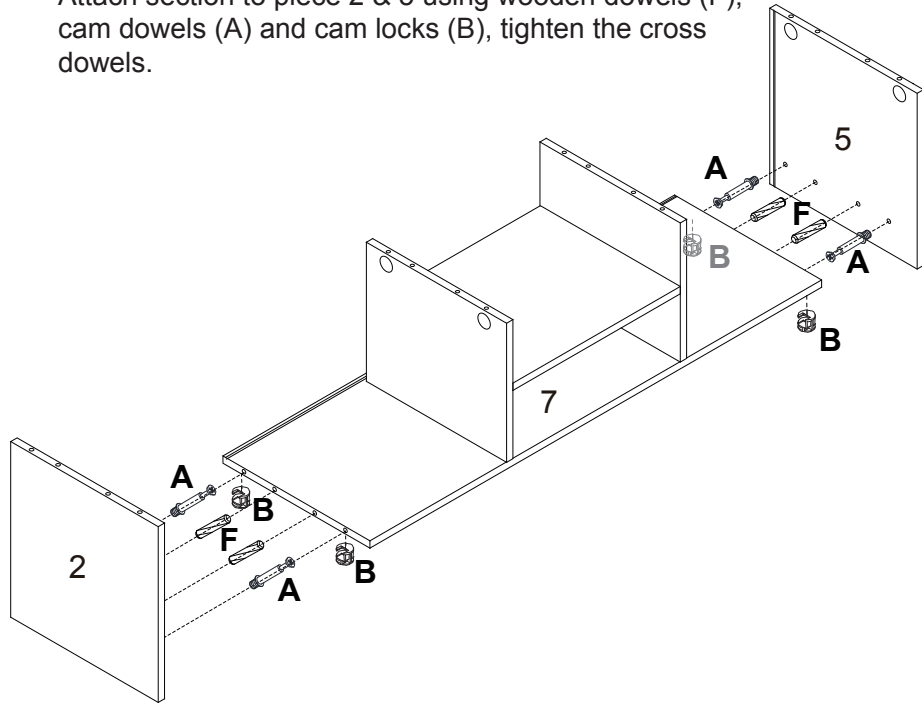
5 Attach piece 3 & 4 to piece 6 using screws (C).



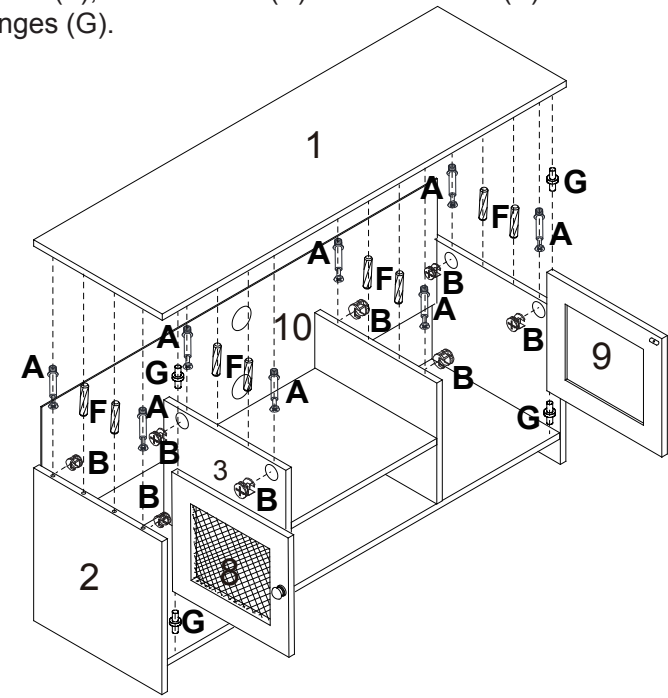
6 Then attach piece 7 using wooden dowels (F), screw (C).



7 Attach section to piece 2 & 5 using wooden dowels (F), cam dowels (A) and cam locks (B), tighten the cross dowels.



8 Slot in piece 10 to the built-in ridges, then add piece 1 to the unit using wooden dowels (F), cam dowels (A) and cam locks (B). Connect door 8 & 9 using bar hinges (G).



9 Insert hardware parts (O) into bottom of piece 2 & 5.

